

金輪牌工業用縫紉機
GOLDEN WHEEL INDUSTRIAL SEWING MACHINE

零件分解圖

PARTS BOOK

MODEL : CS-530-1

CS-530-2

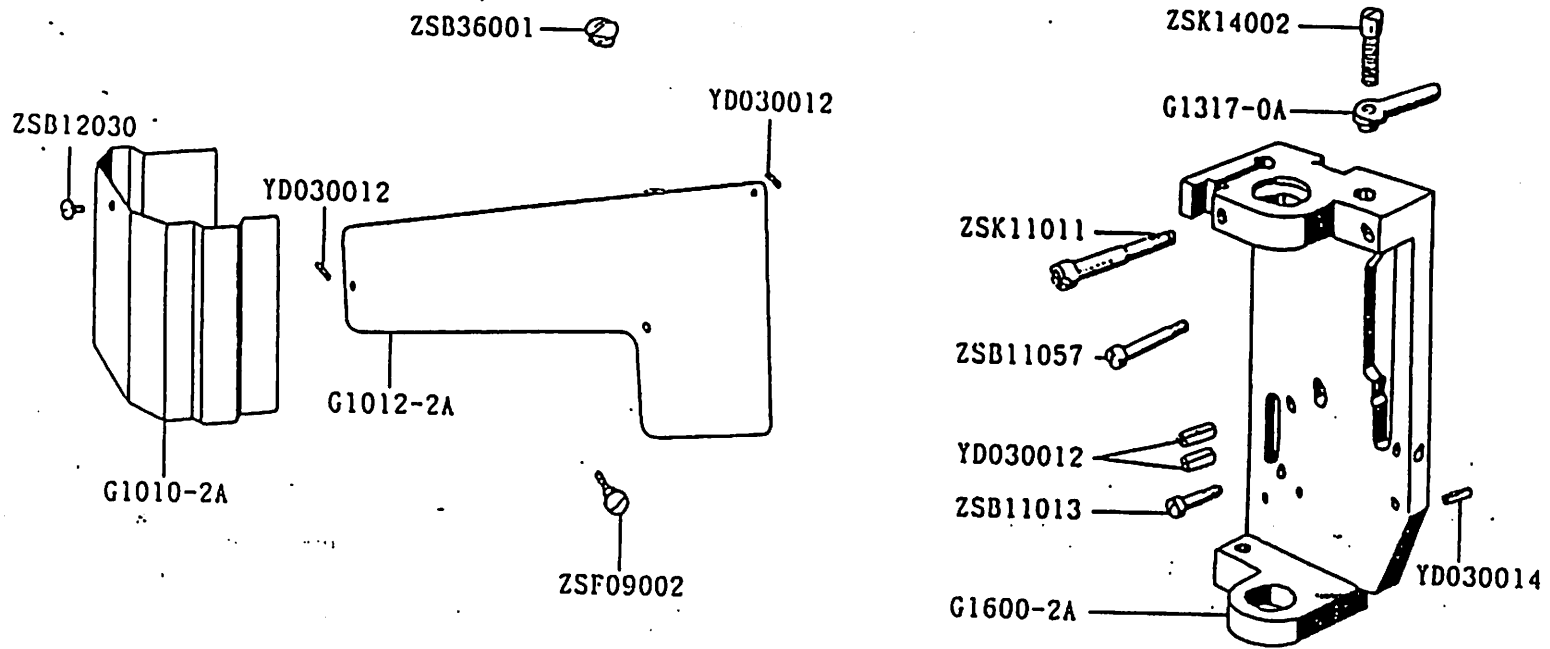
啓翔股份有限公司

CHEE SIANG INDUSTRIAL CO., LTD.

MODEL : CS-530-1、CS-530-2

索 引	INDEX	PAGE
一、本體、機座機構	MACHINE FRAME & COVERS & ARM HEAD MECHANISM	2~ 3
二、上軸機構	UPPER SHAFT MECHANISM	4~ 5
三、針棒機構	NEEDLE BAR MECHANISM	6~ 7
四、押腳機構	PRESSER FOOT MECHANISM	8~ 11
五、停止裝置機構	STOP BRACKET ASSEMBLY MECHANISM	12~ 13
六、線環器機構	LOOPER MECHANISM	14~ 15
七、線環器運轉機構	LOOPER OPERATING MECHANISM	16~ 17
八、縫線壓力調整機構	THREAD TENSION REGULATOR MECHANISM	18~ 19
九、旋轉把手車縫機構	STITCH ROTATING HAND LEVER MECHANISM	20~ 21
十、附件	ACCESSORIES	22~ 23
十一、零件號碼與頁數對照表	NUMERICAL PARTS-LIST	24~ 26

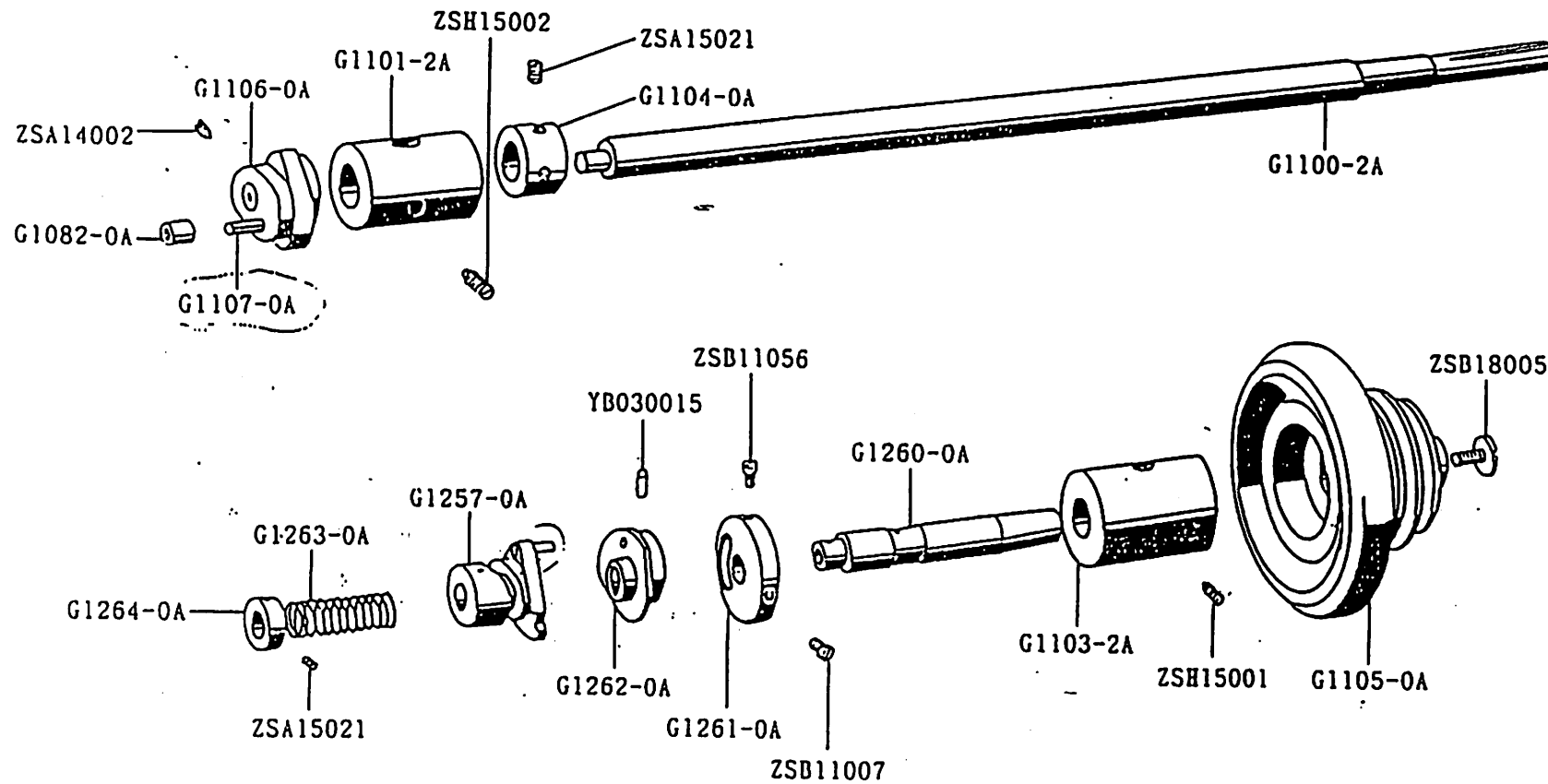
CS-530-1、CS-530-2 本體、機座機構 MACHINE FRAME & COVERS & ARM HEAD MECHANISM



一、CS-530-1、CS-530-2 本體、機座機構 MACHINE FRAME & COVERS & ARM HEAD MECHANISM

零件號碼 Part No.	零件名稱	Name of Part	件數 Q'TY	備註 Remarks
G1010-2A	面板	Arm Head Cover	1	
G1012-2A	前面板	Arm Side Cover	1	
G1317-0A	送料調節固定桿	Feed Regulating Screw Lock Lever Nut	1	
G1600-2A	機座頭	Arm Head	1	
YD030012	定位銷	Position Pin	4	
YD030014	定位銷	Position Pin	2	
ZSD11013	螺絲	Screw	1	
ZSD11057	螺絲	Screw	1	
ZSD12030	螺絲	Screw	1	
ZSD36001	螺絲	Screw	1	
ZSF09002	螺絲	Screw	1	
ZSK11011	螺絲	Screw	1	
ZSK14002	螺絲	Screw	1	

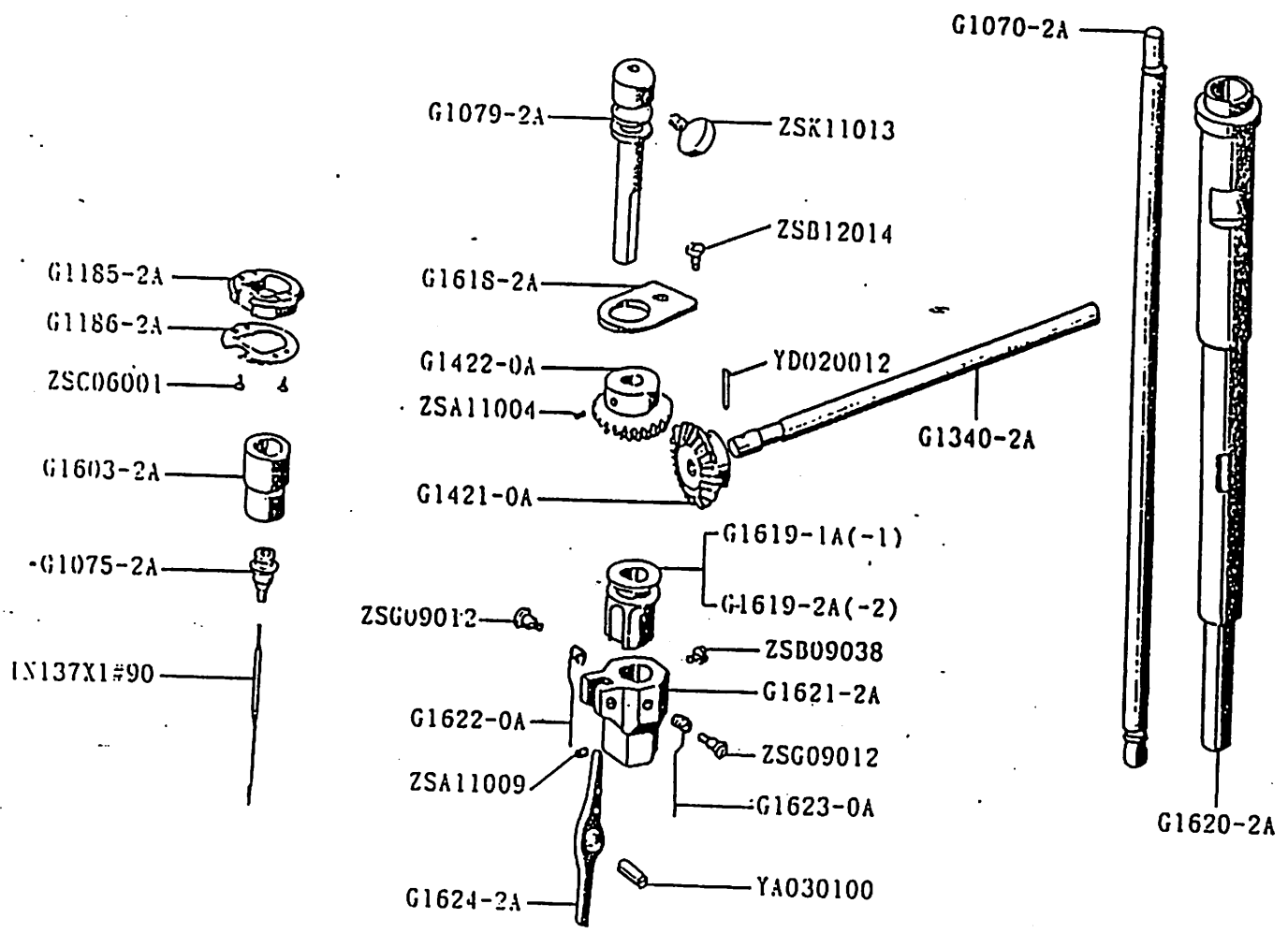
二CS-530-1、CS-530-2 上軸機構 UPPER SHAFT MECHANISM



二CS-530-1、530-2 上軸機構 UPPER SHAFT MECHANISM

零件號碼 Part No.	零件名稱	Name of Part	件數 Q'TY	備註 Remarks
G1082-0A	滾子	Needle Driving Cam Roller	1	
G1100-2A	上軸	Upper Shaft	1	
G1101-2A	上軸軸襯(左)	Arm Shaft Bushing (left)	1	
G1103-2A	上軸軸襯(右)	Driving Pulley Sleeve Bushing (right)	1	
G1104-0A	上軸定環	Arm Shaft Collar	1	
G1105-0A	皮帶輪	Driving Pulley	1	
G1106-0A	針驅動凸輪	Needle Driving Cam	1	
G1107-0A	凸輪固定銷	Needle Driving Cam Pin	1	
G1257-0A	止凸輪	Stop Cam	1	
G1260-0A	皮帶輪軸套	Driving Pulley Sleeve	1	
G1261-0A	驅動凸環	Arm Shaft Driving Flange	1	
G1262-0A	偏心輪	Eccentric Cam	1	
G1263-0A	壓縮彈簧	Stop Cam Spring	1	
G1264-0A	彈簧固定環	Stop Cam Spring Collar	1	
YD030015	推拔銷	Taper Pin	1	
ZSA14002	螺絲	Screw	1	
ZSA15021	螺絲	Screw	4	
ZSB11007	螺絲	Screw	1	
ZSB11056	螺絲	Screw	1	
ZSB18005	螺絲	Screw	1	
ZSH15001	螺絲	Screw	1	
ZSH15002	螺絲	Screw	1	

三CS-530-1、CS-530-2 針棒機構 NEEDLE BAR MECHANISM

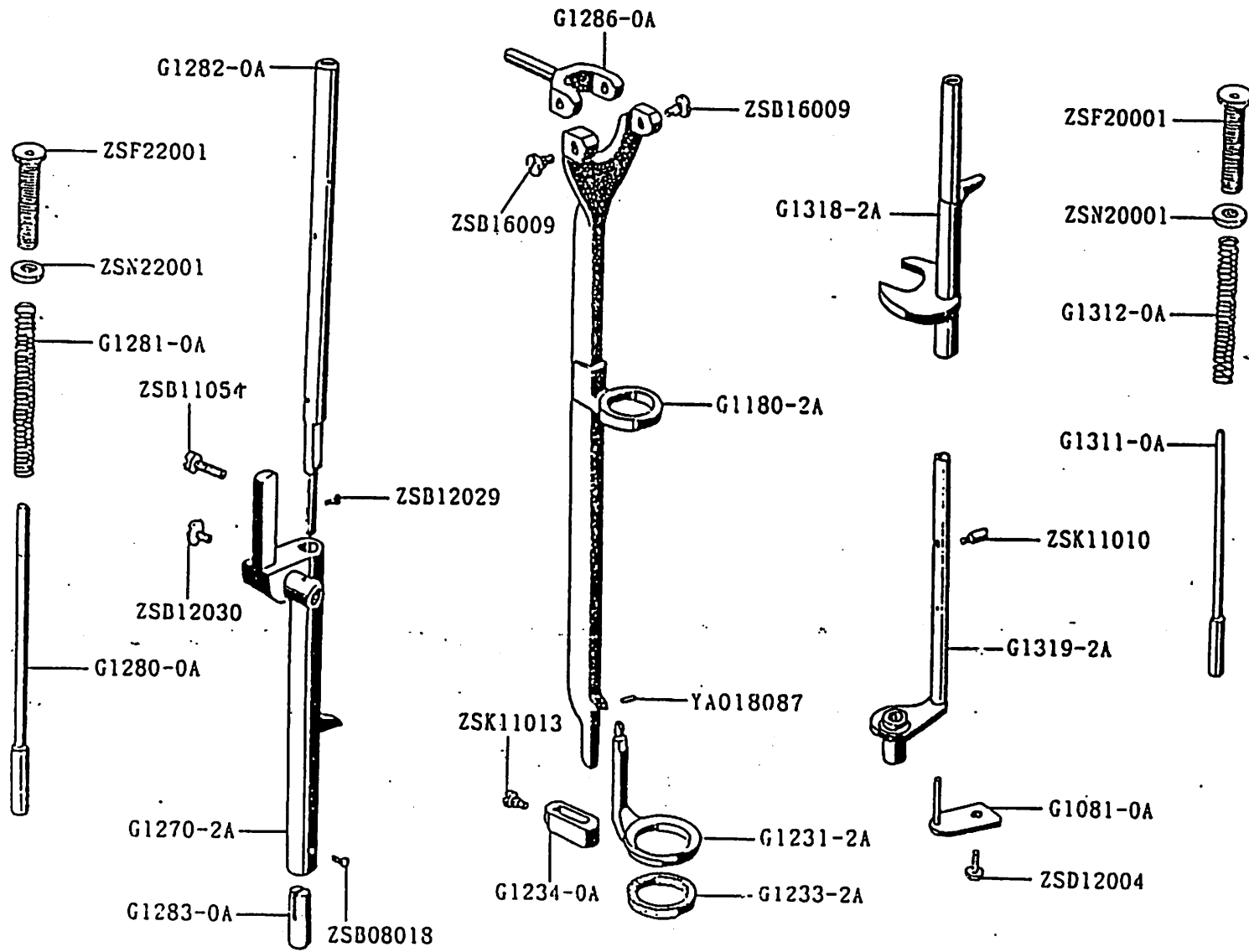


三CS-530-1、CS-530-2 針棒機構 NEEDLE BAR MECHANISM

零件號碼 Part No.	零件名稱	Name of Part	件數 QTY	備註 Remarks
G1070-2A	針棒	Needle Bar	1	
-G1075-2A	針帽	Nipple	1	
G1079-2A	針棒導套	Needle Holder Clamping Sleeve	1	
G1185-2A	送料桿引導座	Feed Lever Bracket Guide	1	
G1186-2A	送料桿引導座蓋	Feed Lever Bracket Guide Cap	1	
G1340-2A	送料旋轉軸	Feed Rotating Shaft	1	
G1421-0A	齒輪	Feed Rotating Shaft Gear	1	
G1422-0A	齒輪	Arm Head Sleeve Gear	1	
G1603-2A	套管抽視	Nipple Carrier Sleeve Dushing	1	
G1618-2A	套管定位板	Arm Head Sleeve Cap	1	
G1619-1A	送料滑塊	Feed Slide Block	1	CS-530-1
G1619-2A	送料滑塊	Feed Slide Block	1	CS-530-2
G1620-2A	針棒抽套	Arm Head Sleeve	1	
G1621-2A	送料桿座	Feed Lever Bracket	1	
G1622-0A	托架彈簧(左)	Feed Recovering Spring (left)	1	
G1623-0A	托架彈簧(右)	Feed Recovering Spring (right)	1	
G1624-2A	送料桿	Feed Lever	1	
IX137X1#90	針	Needle	1	
YA030100	平行銷	Feed Lever Hinge Pin	1	
YD020012	彈簧銷	Position Pin	1	
ZSA11004	螺絲	Screw	1	
ZSA11009	螺絲	Screw	1	
ZSB09038	螺絲	Screw	1	
ZSB12014	螺絲	Screw	1	
ZSC06001	螺絲	Screw	2	
ZSG09012	螺絲	Screw	2	
ZSE11013	螺絲	Screw	1	

* G 1 0 7 5 - 2 A	
規格 Specification	零件號碼 Part No.
0、7	G1075-012A
0、8	G1075-022A
0、9	G1075-032A
1、0	G1075-042A
1、1	G1075-052A
1、2	G1075-062A
1、3	G1075-072A
1、4	G1075-082A
1、6	G1075-092A
1、7	G1075-102A
1、8	G1075-112A
1、9	G1075-122A

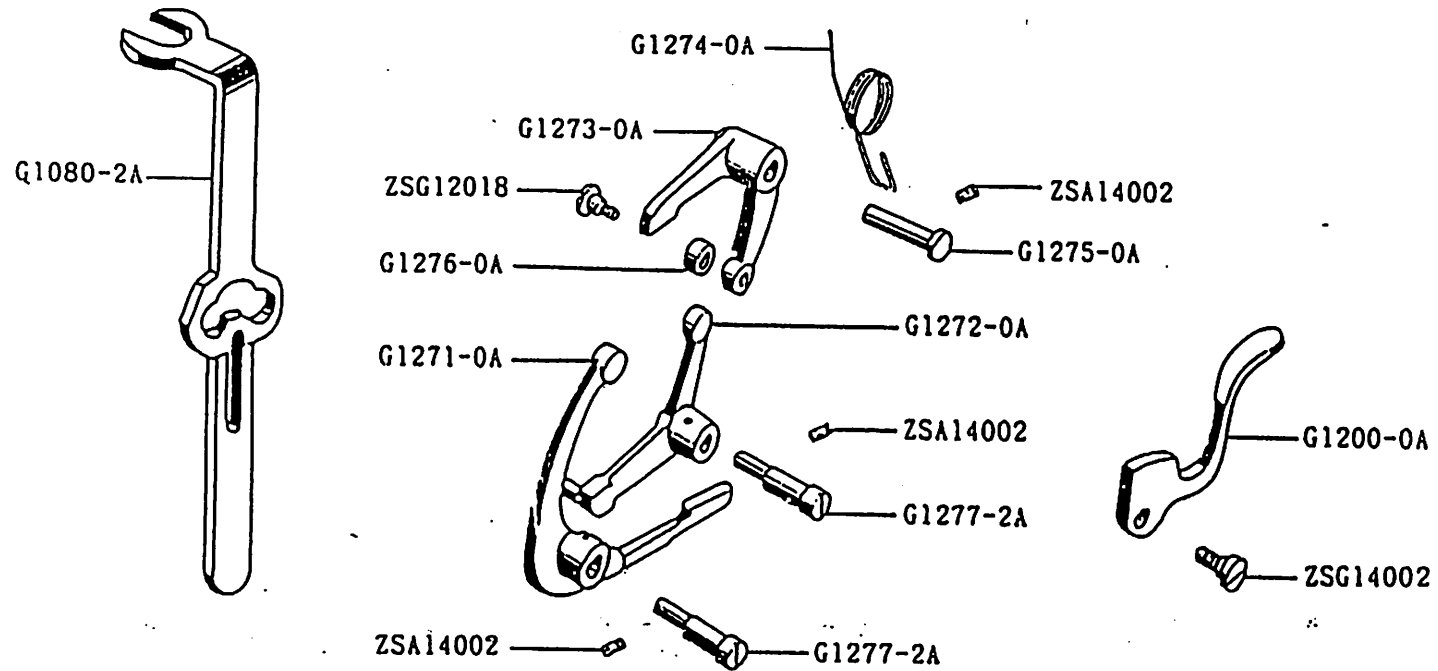
四CS-530-1、CS-530-2 押脚机构 PRESSER FOOT MECHANISM



四CS-530-1、CS-530-2 押脚机构 PRESSER FOOT MECHANISM

零件号码 Part No.	零件名称	Name of Part	件数 QTY	备注 Remarks
G1091-0A	针插导套	Nipple Carrier Guide	1	
G1180-2A	押脚导杆轴	Presser Foot Lever with Feed Lever Bracket Guide Bearing and Pin	1	
G1231-2A	押脚	Presser Foot	1	
G1233-2A	押脚橡胶垫	Presser Foot Shoe (rubber)	1	
G1234-0A	押脚固定环	Presser Foot Clamp	1	
G1270-2A	押脚滑棒	Presser Foot Slide Bar	1	
G1280-0A	压线弹簧导杆	Presser Foot Slide Bar Spring Plunger	1	
G1281-0A	压线弹簧	Presser Foot Slide Bar Spring	1	
G1292-0A	压棒导杆	Presser Foot Slide Bar Guide	1	
G1293-0A	压棒弹簧停止块	Presser Foot Slide Bar Spring Stop	1	
G1286-0A	Y型连杆	Presser Foot Lever Swivel	1	
G1311-0A	压线弹簧导杆	Nipple Carrier Extension	1	
G1312-0A	压线弹簧	Nipple Carrier Spring	1	
G1318-2A	送料滑杆	Feed Slide Bar	1	
G1319-2A	针插导杆轴	Nipple Carrier	1	
YA018087	平行销	Pin	1	
ZSB08018	螺絲	Screw	1	
ZSB11054	螺絲	Screw	1	
ZSB12029	螺絲	Screw	1	
ZSB12030	螺絲	Screw	1	
ZSB16009	螺絲	Screw	2	
ZSD12004	螺絲	Screw	1	
ZSF20001	螺絲	Screw	1	
ZSF22001	螺絲	Screw	1	
ZSE11010	螺絲	Screw	1	
ZSE11013	螺絲	Screw	1	
ZSN20001	螺帽	Nut	1	
ZSN22001	螺帽	Nut	1	

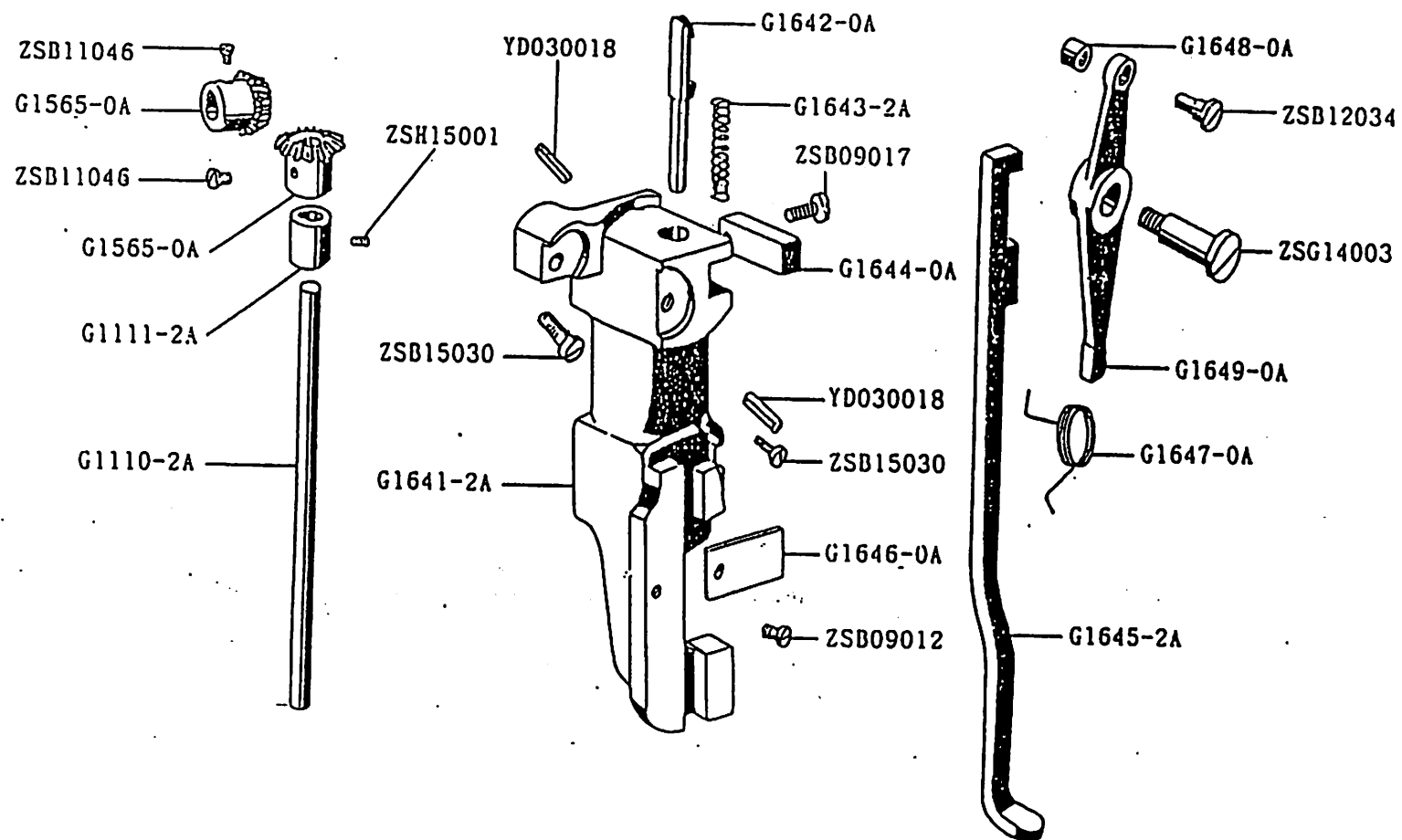
四CS-530-1、CS-530-2 押脚機構 PRESSER FOOT MECHANISM



四CS-530-1、CS-530-2 押脚机构 PRESSER FOOT MECHANISM

零件号码 Part No.	零件名称	Name of Part	件数 Q'TY	备注 Remarks
G1080-2A	针棒导板	Needle Operating Slide	1	
G1200-0A	压棒投杆	Presser Foot Lifter	1	
G1271-0A	押脚滑动曲柄	Presser Foot Slide Bell Crank	1	
G1272-0A	针架导杆曲柄	Nipple Carrier Bell Crank	1	
G1273-0A	送料曲柄	Feed Bell Crank	1	
G1274-0A	送料弹簧	Feed Bell Crank Spring	1	
G1275-0A	固定销	Feed Bell Crank Hinge Stud	1	
G1276-0A	送料曲柄滚子	Feed Bell Crank Roller	1	
G1277-2A	固定销	Nipple Carrier Bell Crank Hinge Stud	2	
ZSA14002	螺絲	Screw	3	
ZSG12018	螺絲	Screw	1	
ZSG14002	螺絲	Screw	1	

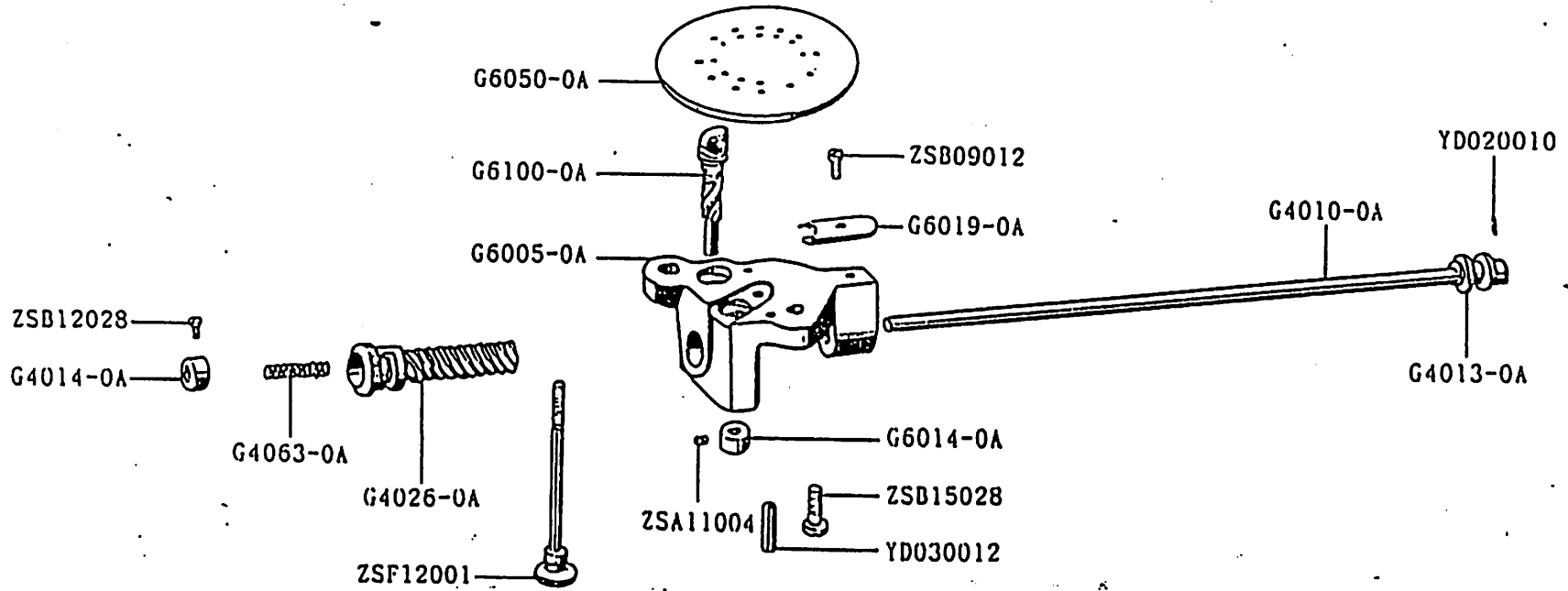
五CS-530-1、CS-530-2 停止裝置機構 STOP BRACKET ASSEMBLY MECHANISM



五CS-530-1、CS-530-2 停止裝置機構 STOP BRACKET ASSEMBLY MECHANISM

零件號碼 Part No.	零件名稱	Name of Part	件 數 Q'TY	備 註 Remarks
G1110-2A	針柱旋轉軸	Stitch Rotating Gear Shaft	1	
G1111-2A	針柱旋轉軸軸襯	Stitch Rotating Gear Shaft Bushing	1	
G1565-0A	齒輪	Stitch Rotating Gear (upper) with Sec Screw	2	
G1641-2A	止動托架	Stop Bracket	1	
G1642-0A	止擋桿	Stop Bracket Interlocking Rod	1	
G1643-2A	壓塊彈簧	Stop Bracket Interlocking Rod Spring	1	
G1644-0A	止擋銷固定塊	Stop Bracket Interlocking Stop Block	1	
G1645-2A	起動桿	Starting Trip Lever Slide	1	
G1646-0A	起動桿固定板	Starting Trip Lever Slide Cap	1	
G1647-0A	彈簧	Starting Trip Lever Slide Spring	1	
G1648-0A	止擋套管	Stop Cam Roller	1	
G1649-0A	止擋搖桿	Stop Cam Rocking Lever	1	
YD030018	彈簧銷	Spring Pin	2	
ZSB09012	螺絲	Screw	1	
ZSB09017	螺絲	Screw	1	
ZSB11046	螺絲	Screw	2	
ZSB12034	螺絲	Screw	1	
ZSB15030	螺絲	Screw	2	
ZSG14003	螺絲	Screw	1	
ZSH15001	螺絲	Screw	1	

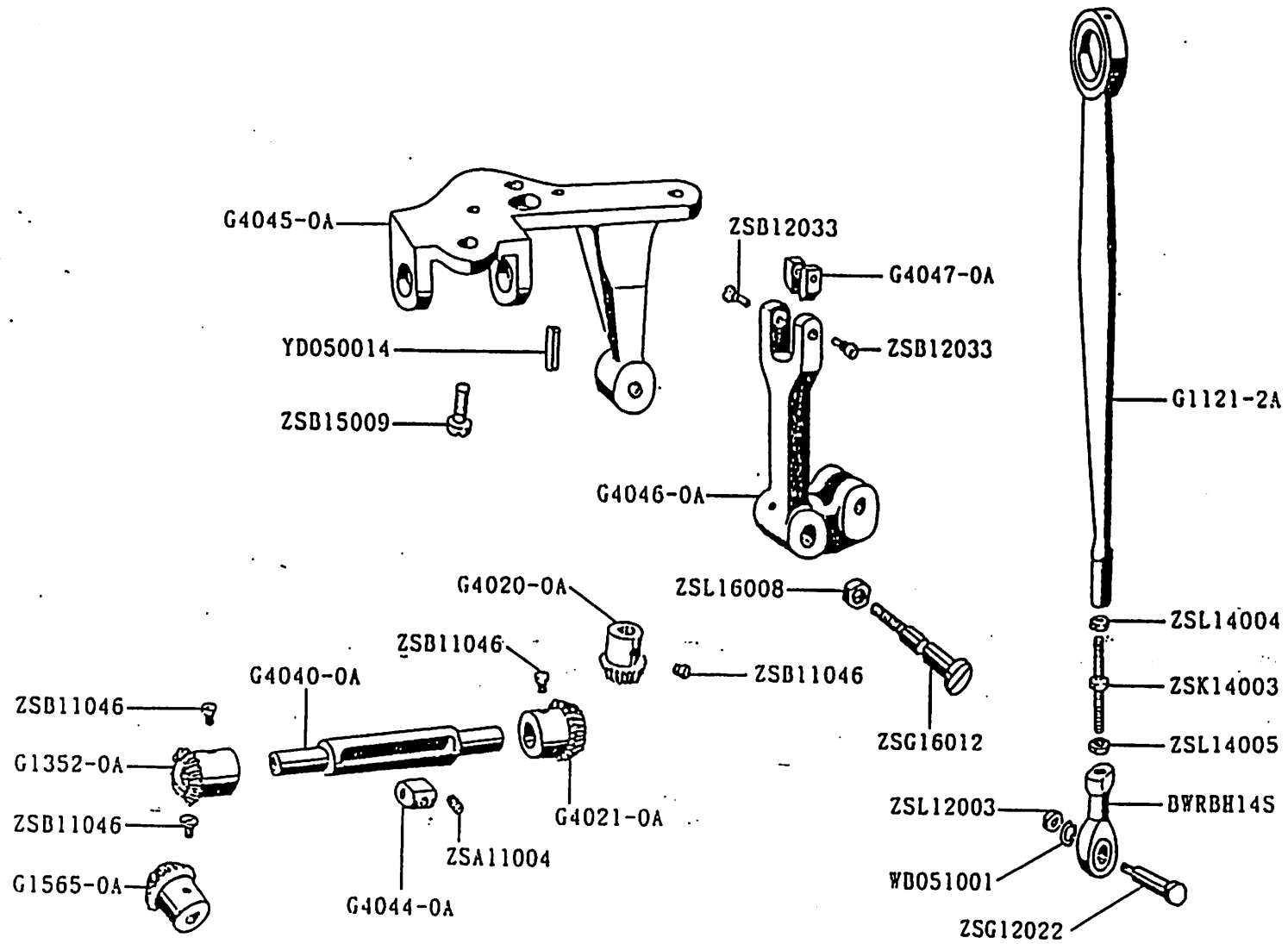
六CS-530-1、CS-530-2 線環器機構 LOOPER MECHANISM



六CS-530-1、CS-530-2 線環器機構 LOOPER MECHANISM

零件號碼 Part No.	零件名稱	Name of Part	件數 Q'TY	備註 Remarks
G4010-0A	下軸	Looper Operating Shaft	1	
G4013-0A	下軸套輪	Looper Operating Shaft Sleeve Wheel	1	
G4014-0A	定環	Looper Operating Collar	1	
G4026-0A	齒輪	Looper Operating Gear (spiral)	1	
G4063-0A	彈簧	Looper Operating Gear Spring	1	
G6005-0A	線環器座	Looper Bracket	1	
G6014-0A	定環	Looper Collar	1	
G6019-0A	定位板	Looper Position Place	1	
G6050-0A	針板	Needle Place	1	
G6100-0A	線環器	Looper	1	
Y0020010	彈簧銷	Spring Pin	1	
Y0030012	彈簧銷	Spring Pin	2	
ZSA11004	螺絲	Screw	1	
ZSB09012	螺絲	Screw	1	
ZSB12028	螺絲	Screw	1	
ZSD15028	螺絲	Screw	3	
ZSF12001	螺絲	Screw	1	

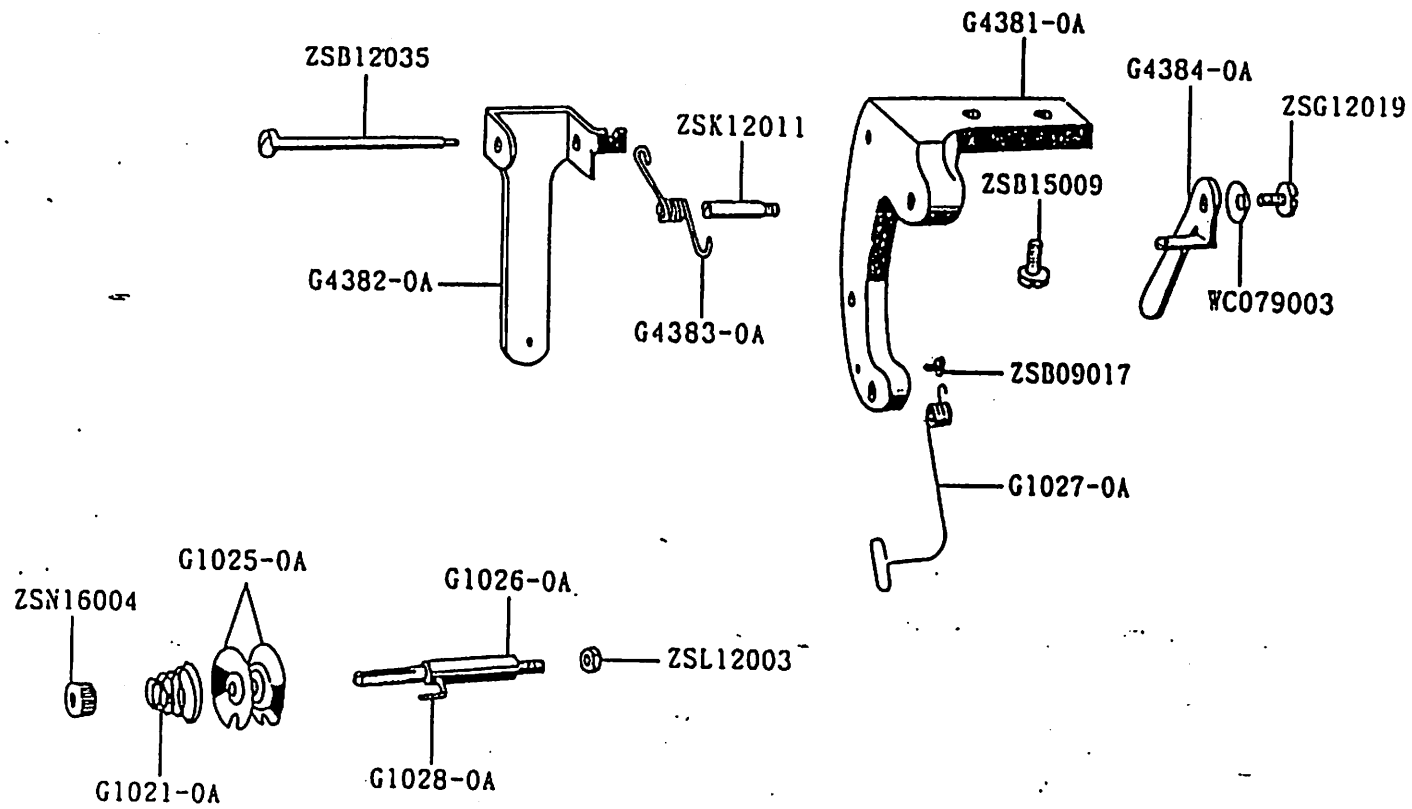
CS-530-1、CS-530-2 線環器運轉機構 LOOPER OPERATING MECHANISM



七CS-530-1、CS-530-2 線環器運轉機構 LOOPER OPERATING MECHANISM

零件號碼 Part No.	零件名稱	Name of Part	件數 Q'TY	備註 Remarks
DWRBH14S	桿端軸承	Looper Operating Connection Joint	1	
G1121-2A	連桿	Looper Operating Connection (Cam end)	1	
G1352-0A	套管齒輪	Looper Operating Shaft Sleeve and Gear with Set Screw	1	
G1565-0A	齒輪	Stitch Rotating Gear Bracket Shaft Gear	1	
G4020-0A	齒輪	Stitch Rotating Gear Bracket Shaft Gear	1	
G4021-0A	套管齒輪	Looper Operating Shaft Sleeve And Gear with Set Screw	1	
G4040-0A	梭絲套環軸	Looper Operating Shaft Guide	1	
G4044-0A	滑動塊	Looper Operating Shaft Guide Block	1	
G4045-0A	固定架	Looper Operating Bell Crank Bracket	1	
G4046-0A	L型連桿	Looper Operating Bell Crank	1	
G4047-0A	滑塊	Looper Operating Bell Crank Hinge Block	2	
YD051001	彈簧墊圈	Spring Washer	1	
YD050014	彈簧銷	Spring Pin	2	
ZSA11004	螺絲	Screw	1	
ZSB11046	螺絲	Screw	4	
ZSB12033	螺絲	Screw	2	
ZSB15009	螺絲	Screw	3	
ZSG12022	螺絲	Screw	1	
ZSG16012	螺絲	Screw	1	
ZSK14003	螺絲	Screw	1	
ZSL12003	螺帽	Nut	1	
ZSL14004	螺帽	Nut	1	
ZSL14005	螺帽	Nut	1	
ZSL16008	螺帽	Nut	1	

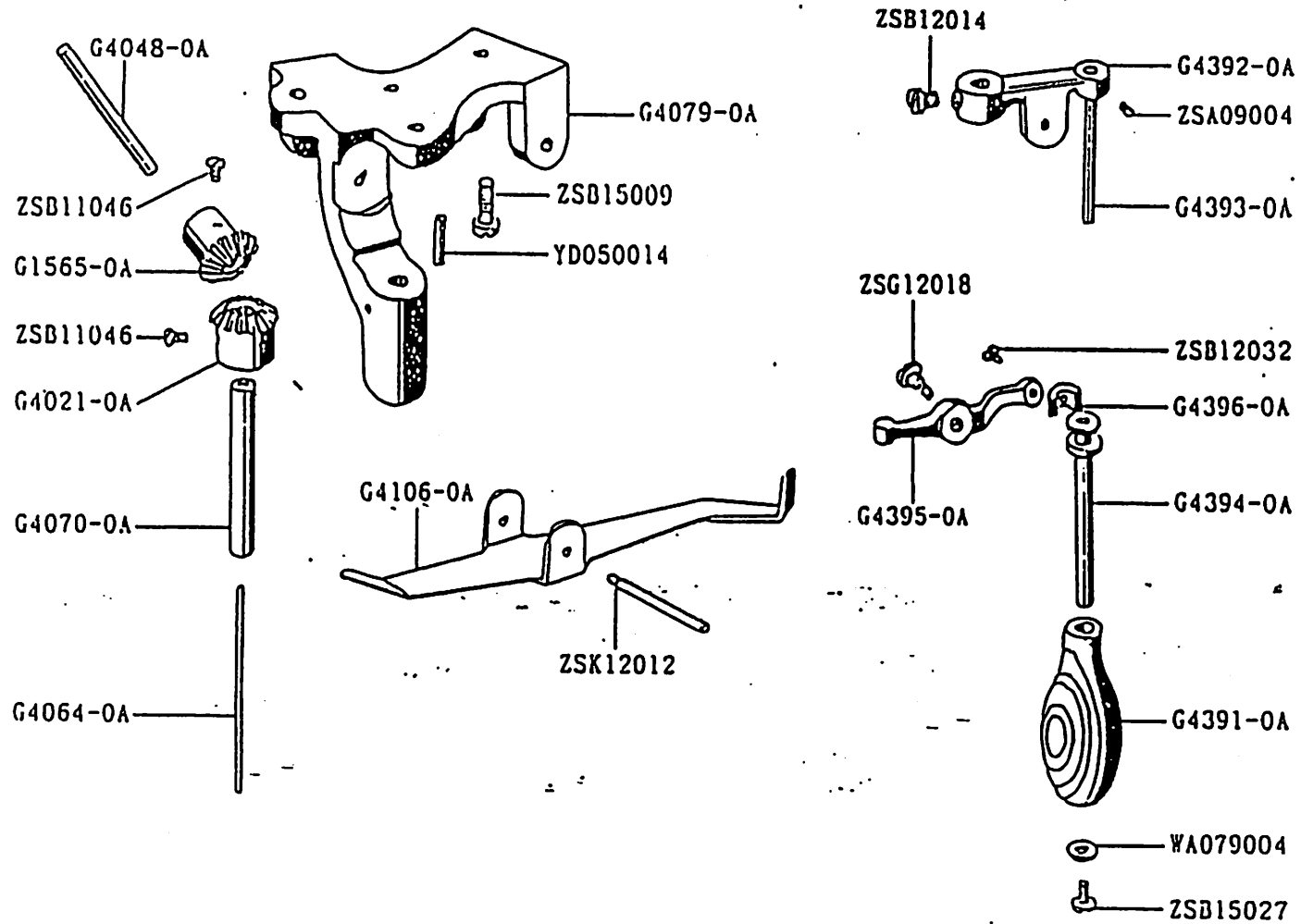
八CS-530-1、CS-530-2 縫線壓力調整機構 THREAD TENSION REGULATOR MECHANISM



八CS-530-1、CS-530-2 縫線壓力調整機構 THREAD TENSION REGULATOR MECHANISM

零件號碼 Part No.	零件名稱	Name of Part	件 數 Q'TY	備 註 Remarks
G1021-0A	調整彈簧	Tension Spring	1	
G1025-0A	壓線盤	Tension Disc	2	
G1026-0A	調整螺絲桿	Tension Stud	1	
G1027-0A	吊線彈簧	Thread Controller Spring	1	
G1028-0A	銷	Tension Releasing Pin	1	
G4381-0A	線掛支架	Tension Bracket	1	
G4382-0A	線掛壓板	Tension Regulating Place	1	
G4383-0A	松線彈簧	Tension Regulating Spring	1	
G4384-0A	壓力調整桿	Tension Regulating Lever	1	
YC079003	盤形墊圈	Washer	1	
ZSB09017	螺絲	Screw	1	
ZSB12035	螺絲	Screw	1	
ZSB15009	螺絲	Screw	2	
ZSG12019	螺絲	Screw	1	
ZSK12011	螺絲	Screw	1	
ZSL12003	螺帽	Nut	1	
ZSX16004	螺帽	Nut	1	

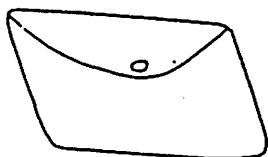
九CS-530-1、CS-530-2 旋轉把手車縫機構 STITCH ROTATING HAND LEVER MECHANISM



九CS-530-1、CS-530-2 旋轉把手車縫機構 STITCH ROTATING HAND LEVER MECHANISM

零件號碼 Part No.	零件名稱	Name of Part	件數 Q'TY	備註 Remarks
G1565-0A	齒輪	Stitch Rotating Gear Bracket Shaft Gear	1	
G4021-0A	齒輪	Stitch Rotating Hand Lever Shaft Gear	1	
G4048-0A	正逆轉控制軸	Stitch Rotating Gear Bracket Shaft (intermediate)	1	
G4064-0A	導銷	Starting Trip Lever Rod	1	
G4070-0A	方向控制搖動軸	Stitch Rotating Hand Lever Shaft	1	
G4079-0A	旋轉送料軸座	Stitch Rotating Gear Bracket	1	
G4106-0A	起動製桿	Starting Trip Lever (intermediate)	1	
G4391-0A	握柄	Stitch Rotating Hand Lever Handle	1	
G4392-0A	送齒回轉手把	Stitch Rotating Hand Lever with Set Screw	1	
G4393-0A	固定軸	Fixing Rod	1	
G4394-0A	握柄支軸套管	Stitch Rotating Hand Lever Handle Sleeve	1	
G4395-0A	起動桿	Starting Trip Lever	1	
G4396-0A	起動片	Starting Trip Lever Block	1	
XA079004	平墊圈	Washer	1	
YD050014	彈簧銷	Spring Pin	2	
ZSA09004	螺絲	Screw	1	
ZSB11046	螺絲	Screw	2	
ZSB12014	螺絲	Screw	1	
ZSB12032	螺絲	Screw	1	
ZSB15009	螺絲	Screw	3	
ZSB15027	螺絲	Screw	1	
ZSG12018	螺絲	Screw	1	
ZSS12012	螺絲	Screw	1	

CS-530-1、CS-530-2 附件 ACCESSORIES



A7000-0A



G7120-0A



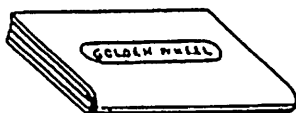
G1075-052A



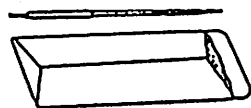
G7022-0A



ZMT06001



C7001-0A



IN137X1#90



A7012-1A



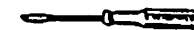
G7021-0A



G7140-0A



G1233-2A



A7010-0A



A7025-0A



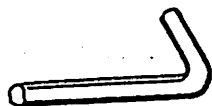
ZSK18007



A7011-0A



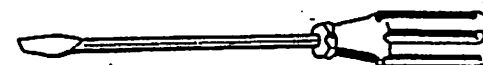
A7010-1A



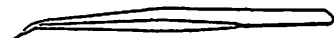
G7141-0A



A7026-0A



A7010-2A



G7014-0A



G7013-0A



G7121-0A

十、CS-530-1、CS-530-2 附件 ACCESSORIES

零件號碼 Part No.	零件名稱	Name of Part	件數 QTY	備註 Remarks
A7000-0A	工具袋	Accessory Bag		
A7010-0A	螺絲起子(小)	Screw Driver (small)	1	
A7010-1A	螺絲起子(中)	Screw Driver (middle)	1	
A7010-2A	螺絲起子(大)	Screw Driver (large)	1	
A7011-0A	鐵釘	Nail	1	
A7012-1A	油壺(中)	Oiler (middle)	10	
A7025-0A	枕木	Machine Rest Pin (wood)	1	
A7026-0A	橡膠墊	Vibration Preventing Rubbers	1	
C7001-0A	車頭蓋	Vinyl Cover	4	
G1075-052A	針帽(1.1)	Nipple (1.1)	1	
G1233-2A	橡膠墊	Presser Foot Shoe (rubber)	1	
G7013-0A	尖嘴鉗	Pliers	4	
G7014-0A	鉗子	Tweezers	1	
G7021-0A	後鉗	Machine Hinge Connection	1	
G7022-0A	後鉗座	Machine Hinge Connection Seat	2	
G7120-0A	勾線鐵絲	Thread Wire	2	
G7121-0A	清潔鐵絲	Cleaning Wire	1	
G7140-0A	洋眼	Screw Eye	1	
G7141-0A	六角把手(3mm)	(3mm) Wrench	3	
IX137X1=90	針	Needle	1	
ZXT06001	木螺絲	Screw	2	
ZSK18007	蝶形螺絲	Bed Clamping Thumb Screw	2	
			2	

零件號碼 PART NO.	頁數 PAGE	零件號碼 PART NO.	頁數 PAGE	零件號碼 PART NO.	頁數 PAGE	零件號碼 PART NO.	頁數 PAGE
A7000-0A	22	G1075-072A	7	G1233-2A	8、22	G1319-2A	8
A7010-0A	22	G1075-082A	7	G1234-0A	8	G1340-2A	6
A7010-1A	22	G1075-092A	7	G1257-0A	4	G1352-0A	16
A7010-2A	22	G1075-102A	7	G1260-0A	4	G1421-0A	6
A7011-0A	22	G1075-112A	7	G1261-0A	4	G1422-0A	6
A7012-1A	22	G1075-122A	7	G1262-0A	4	G1565-0A	12、16、20
A7025-0A	22	G1079-2A	6	G1263-0A	4	G1600-2A	2
A7026-0A	22	G1080-2A	10	G1264-0A	4	G1603-2A	6
DWRBH14S	16	G1081-0A	8	G1270-2A	8	G1618-2A	6
C7001-0A	22	G1082-0A	4	G1271-0A	10	G1619-1A	6
G1010-2A	2	G1100-2A	4	G1272-0A	10	G1619-2A	6
G1012-2A	2	G1101-2A	4	G1273-0A	10	G1620-2A	6
G1021-0A	18	G1103-2A	4	G1274-0A	10	G1621-2A	6
G1025-0A	18	G1104-0A	4	G1275-0A	10	G1622-0A	6
G1026-0A	18	G1105-0A	4	G1276-0A	10	G1623-0A	6
G1027-0A	18	G1106-0A	4	G1277-2A	10	G1624-2A	6
G1028-0A	18	G1107-0A	4	G1280-0A	8	G1641-2A	12
G1070-2A	6	G1110-2A	12	G1281-0A	8	G1642-0A	12
G1075-2A	6	G1111-2A	12	G1282-0A	8	G1643-2A	12
G1075-012A	7	G1121-2A	16	G1283-0A	8	G1644-0A	12
G1075-022A	7	G1180-2A	8	G1286-0A	8	G1645-2A	12
G1075-032A	7	G1185-2A	6	G1311-0A	8	G1646-0A	12
G1075-042A	7	G1186-2A	6	G1312-0A	8	G1647-0A	12
G1075-052A	7、22	G1200-0A	10	G1317-0A	2	G1648-0A	12
G1075-062A	7	G1231-2A	8	G1318-2A	8	G1649-0A	12

零件號碼 PART NO.	頁數 PAGE	零件號碼 PART NO.	頁數 PAGE	零件號碼 PART NO.	頁數 PAGE	零件號碼 PART NO.	頁數 PAGE
G4010-0A	14	G4395-0A	20	YD030014	2	ZSB12034	12
G4013-0A	14	G4396-0A	20	YD030018	12	ZSB12035	18
G4014-0A	14	G6005-0A	14	YD050014	16、20	ZSB15009	16、18、20
G4020-0A	16	G6014-0A	14	ZXT06001	22	ZSB15027	20
G4021-0A	16、20	G6019-0A	14	ZSA09004	20	ZSB15028	14
G4026-0A	14	G6050-0A	14	ZSA11004	6、14、16	ZSB15030	12
G4040-0A	16	G6100-0A	14	ZSA11009	6	ZSB16009	8
G4044-0A	16	G7013-0A	22	ZSA14002	4、10	ZSB18005	4
G4045-0A	16	G7014-0A	22	ZSA15021	4	ZSB36001	2
G4046-0A	16	G7021-0A	22	ZSB03018	8	ZSC06001	6
G4047-0A	16	G7022-0A	22	ZSB09012	12、14	ZSD12004	8
G4048-0A	20	G7120-0A	22	ZSB09017	12、18	ZSF09002	2
G4063-0A	14	G7121-0A	22	ZSB09038	6	ZSF12001	14
G4064-0A	20	G7140-0A	22	ZSB11007	4	ZSF20001	8
G4070-0A	20	G7141-0A	22	ZSB11013	2	ZSF22001	8
G4079-0A	20	IN137X1#90	6、22	ZSB11046	12、16、20	ZSG09012	6
G4106-0A	20	WA079004	20	ZSB11054	8	ZSG12018	10、20
G4381-0A	18	WB051001	16	ZSB11056	4	ZSG12019	18
G4382-0A	18	WC079003	18	ZSB11057	2	ZSG12022	16
G4383-0A	18	YA018087	8	ZSB12014	6、20	ZSG14002	10
G4384-0A	18	YA030100	6	ZSB12028	14	ZSG14003	12
G4391-0A	20	YB030015	4	ZSB12029	8	ZSG16012	16
G4392-0A	20	YD020010	14	ZSB12030	2、8	ZSH15001	4、12
G4393-0A	20	YD020012	6	ZSB12032	20	ZSH15002	4
G4394-0A	20	YD030012	2、14	ZSB12033	16	ZSK11010	8

304